

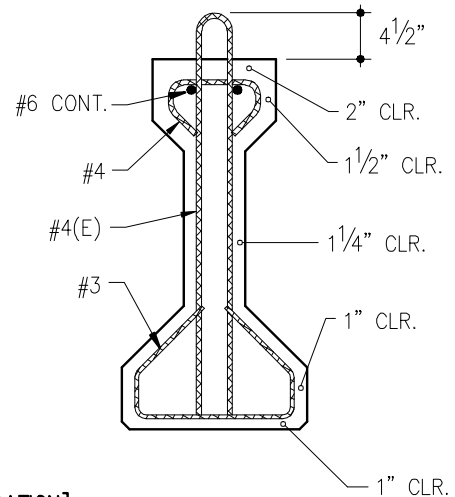
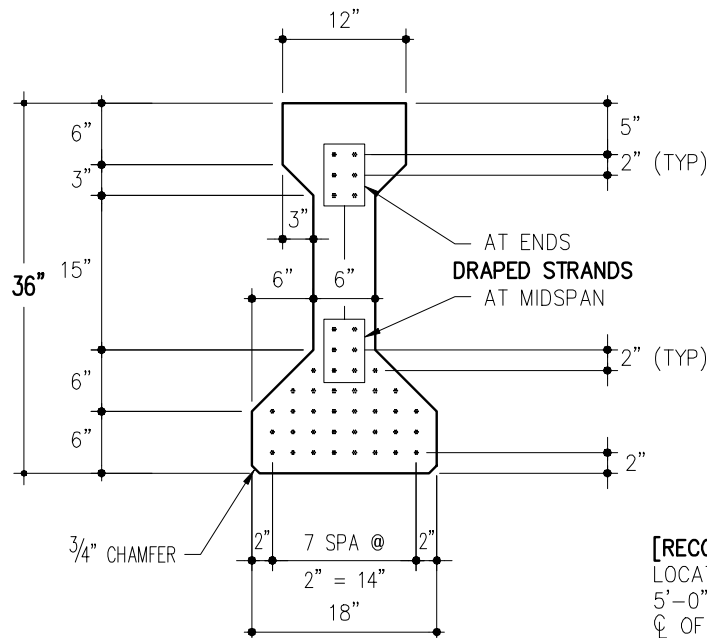
PRESTRESS SERVICES

INDUSTRIES LLC

Lexington, Ky - Decatur, In - Melbourne, Ky - Columbus, Oh - Henderson, Ky - Jackson, Ms - Memphis, Tn
859.299.0461 - 260.724.7117 - 859.441.0068 - 614.871.2900 - 270.826.6244 - 601.856.4135 - 901.775.9880

AASHTO Type 2 I-Beam Reinforcement Details

Product Code	Depth (in)	Area (in ²)	Y _b (in ⁴)	I _{xx} (in ⁴)	I _{yy} (in ⁴)	Weight (plf)
2I	36	368.4	15.9	50,842	5,289	384



[RECOMMENDATION]
LOCATE HOLDDOWNS
5'-0" EACH SIDE OF
Ø OF BEAM